

Inline Light
MLC30IKSS3D Specification Sheet

FEATURES

- Seamless, flush aesthetic
- Modular - combines with multiple cabinet lines
- Provides warm task lighting
- Dimmable when paired with a compatible residential dimmer
- Dimmable LED lighting to 1%
- Energy efficient LEDs with an estimated life of 53,000 hours:

| | |
|----------------------------|-------|
| Color Temperature (Kelvin) | 3000K |
| CRI | 90+ |
| R9 Value | 80+ |
| Source Lumens | 1259 |
| Delivered Lumens | 586 |

MATERIALS & CONSTRUCTION

- Rust free anodized aluminum and glass construction
- Anodized aluminum base structure
- Quality polished edge mirror finish
- Built-in diffuser delivers consistent, even light output
- Fully encased construction eliminates visibly exposed LEDs and electrical components
- Wired internally - Front access serviceability
- Requires compatible switch or dimmer (sold separately)

CODES & STANDARDS

Certified for damp locations to:

- UL 8750
- CSA C22.2 No. 250.13
- Title 24 Certified

DIMENSIONS

- Width: 3-1/2" (89 mm)
- Height: 30" (762 mm)
- Depth: 4-5/8" (118 mm) When surface mounted
15/16" (23 mm) When recessed

MORE INFORMATION

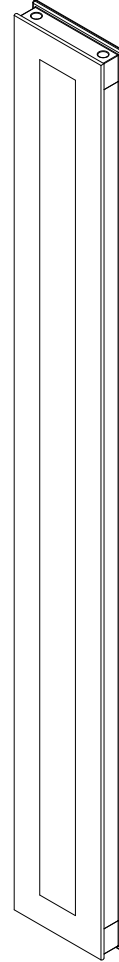


Scan the QR code to see the rough opening and electrical details found in the Dimmable Inline Light installation instructions.

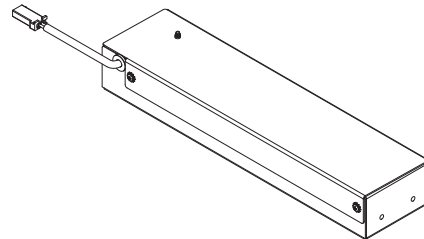
Use the camera app on your mobile device to look at this QR code. This will allow you to quickly access web pages and other relevant documents.

MODEL NUMBER KEY

| | WIDTH | HEIGHT | DESIGN | QTY OF LIGHTS | BODY COLOR | COLOR TEMP | LED Engine |
|----|------------|----------|------------|-------------------|------------|------------|--------------|
| ML | C = 3-1/2" | 30 = 30" | I = Inline | KS = Single Light | S = Silver | 3 = 3000K | D = Dimmable |



Included Electrical Enclosure (Power Supply):



OPTIONS

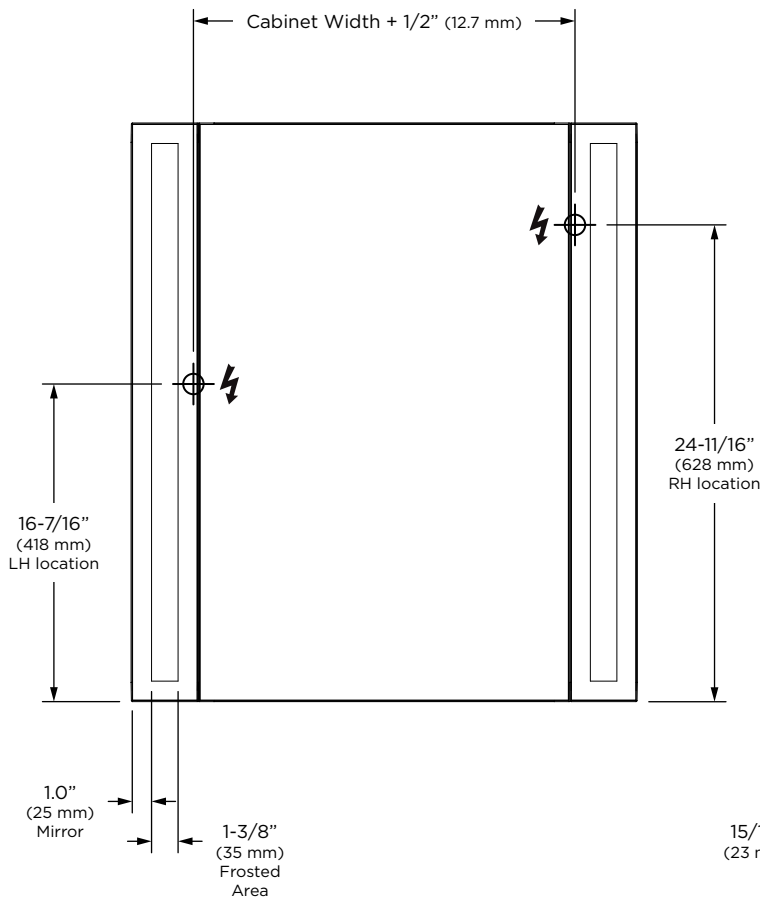
- Other heights / LED engine / mounting options available

ELECTRICAL SYSTEM

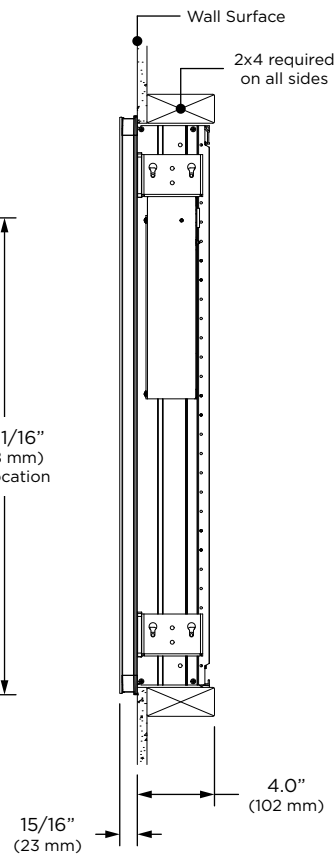
- Operates on 120VAC 60Hz @ 0.9A Max per Power Supply
- Requires compatible switch or dimmer (sold separately)

INSTALLATION OPTIONS

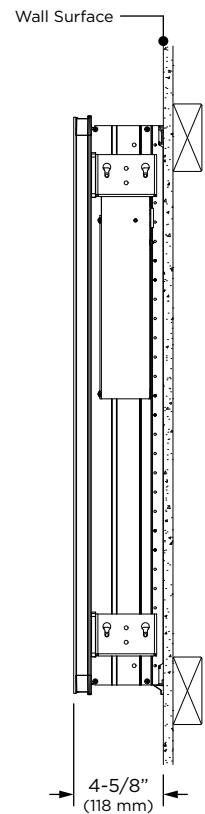
- Compatible Cabinet Mounting Kits (Single Cabinet):
 - Surface Mount Kit (P2SMKIT30D4P)
- Gangs between multiple cabinets via:
 - Surface Mount Ganging Kit (P2SM-GKIT30D4P)
 - Recessed Ganging Kit (P2RMGKIT)
- Compatible with M Reserve, Profiles, and PL Portray
- **Recessed Mount Rough Opening:**
Cabinet RO W + 3-1/2" W per light x 29-1/4" H
(Cabinet RO W + 89 mm W per light x 743 mm H)



Front View



Recessed Mount



Surface Mount